



ASHOK EXTRUTECH

ISO : 9001 : 2015 CERTIFIED COMPANY

FORMALLY KNOWN AS
ASHOK
ENGINEERING WORKS
SINCE-1990



MONO LAYER BLOWN FILM PLANT

APPLICATIONS

- Packaging Films
- Grocery Bags
- Garbage Bags
- Liner Bags
- Nursery Bags
- LD Milk Pouch

BIO-DEGRADABLE
Carry Bags

- Space Saving Model
- High Output
- Low Power Consumption
- Spiral Die Head for Uniformly Flow
- Helical Gearbox with Thrust Bearing
- Gas Nitride Screw Barrels
- AC Drive Operated Motors
- Rotary Die Head for Gauge Randomization
- Bubble Control System

MODEL	AE-2035	AE-2040	AE-2045 STD	AE-2055 STD
Screw Dia	35 mm	40 mm	45 mm	55 mm
Screw L/D Ratio	28 : 1	28 : 1	28 : 1	28 : 1
Gearbox Type	Helical	Helical	Helical	Helical
Screw RPM	0-100	0-100	0-100	0-100
Die Type	Spiral	Spiral	Spiral	Spiral
Filter Type	Candle Type	Candle Type	Candle Type	Candle Type
Heating Zone	5 Zone	5 Zone	5 Zone	6 Zone
Nip Roller Size	500 mm	660 mm	812 mm	1066 mm
Lay Flat width	75 mm to 425 mm	100 mm to 580 mm	200 mm to 700 mm	200 mm to 950 mm
Winder Type	Attach Single Station	Attach Single Station	Attach Single Station	Attach Single Station
Main Motor (HP)	7.5 HP	10 HP	15 HP	30 HP
Film Thickness	25 to 100 Microns	25 to 100 Microns	25 to 100 Microns	25 to 100 Microns
Max. Output	25 - 28 Kg/Hr.	30 - 40 Kg/Hr.	38 - 50 Kg/Hr.	45 - 75 Kg/Hr.
Connecting Load	18.5 kw	22.5 kw	29 kw	38 kw

TWO LAYER ABA BLOWN FILM PLANT

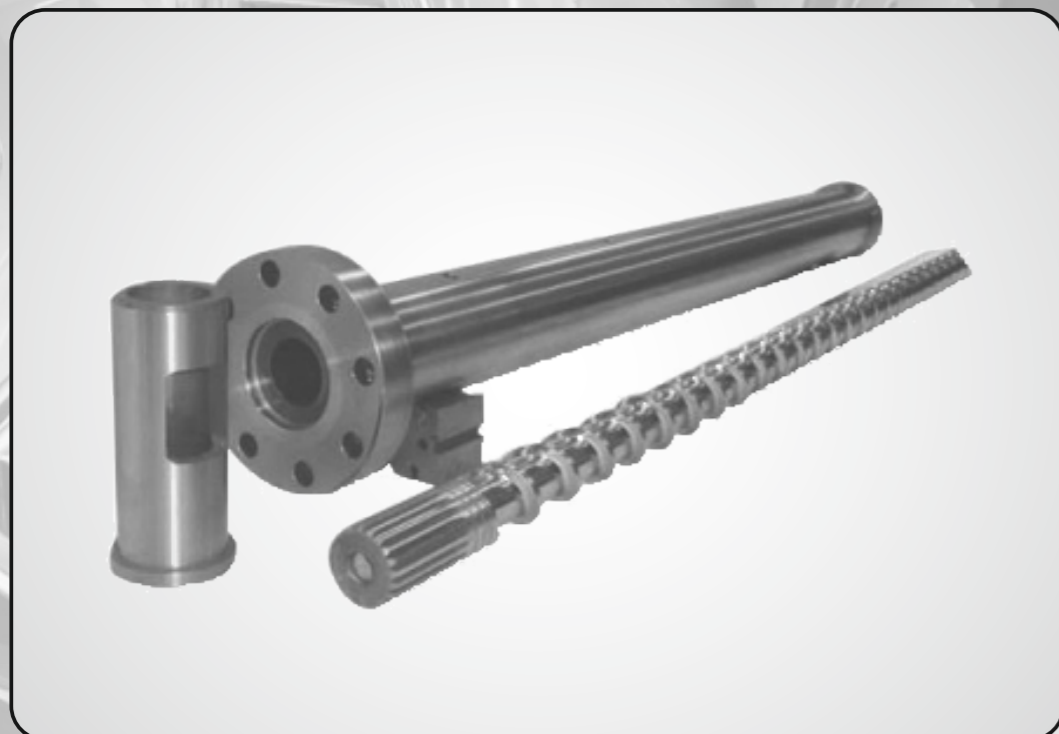
APPLICATIONS

- Packaging Films
- Grocery Bags
- Garbage Bags
- Liner Bags
- Nursery Bags
- LD Milk Pouch
- Mulching Films
- E-commerce Bags

- High Output
- Low Power Consumption
- Bubble Control System
- Helical Gearbox with Thrust Bearing
- Gas Nitride Screw Barrels
- AC Drive Operated Motors
- Spiral Type ABA or AB Die Head for Uniformly Flow
- Oscillating Haul Off unit or Rotary Die Head for Gauge Randomization



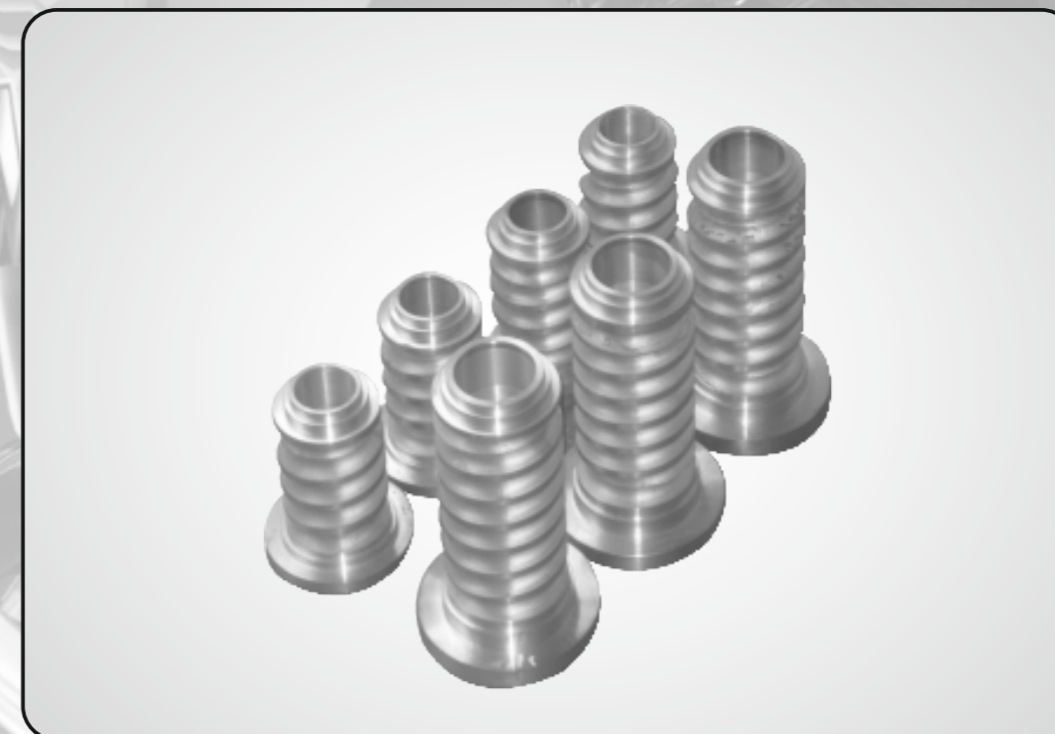
MODEL	AE-35-40	AE-35-45	AE-40-45	AE-45-55
Screw Dia layer A	35 mm	35 mm	40 mm	45 mm
Screw Dia layer B	40 mm	45 mm	45 mm	55 mm
Screw L/D Ratio	28 : 1	28 : 1	28 : 1	28 : 1
Gearbox Type	Helical	Helical	Helical	Helical
Screw RPM	0-100	0-100	0-100	0-100
Die Type	Spiral	Spiral	Spiral	Spiral
Filter Type	Candle Type	Candle Type	Candle Type	Candle Type
Heating Zone	11 Zone	11 Zone	11 Zone	12 Zone
Nip Roller Size	660 mm	1066 mm	1160 mm	1320 mm
Lay Flat width	100 mm to 425 mm	200 mm to 900 mm	200 mm to 1050 mm	400 mm to 1150 mm
Winder Type	Surface (Optional)	Surface (Optional)	Surface (Optional)	Surface (Optional)
Main Motor (HP)	35-7.5 HP / 40-10 HP	35-7.5 HP / 45-15 HP	40- 10 HP / 45-15 HP	35-15 HP / 55-30 HP
Film Thickness	25 to 100 Microns	25 to 100 Microns	25 to 100 Microns	25 to 100 Microns
Max. Output	40 - 50 Kg/Hr.	50 - 60 Kg/Hr.	50 - 70 Kg/Hr.	70 - 100 Kg/Hr.
Connecting Load	36.5 kw	43.5 kw	65 kw	80 kw



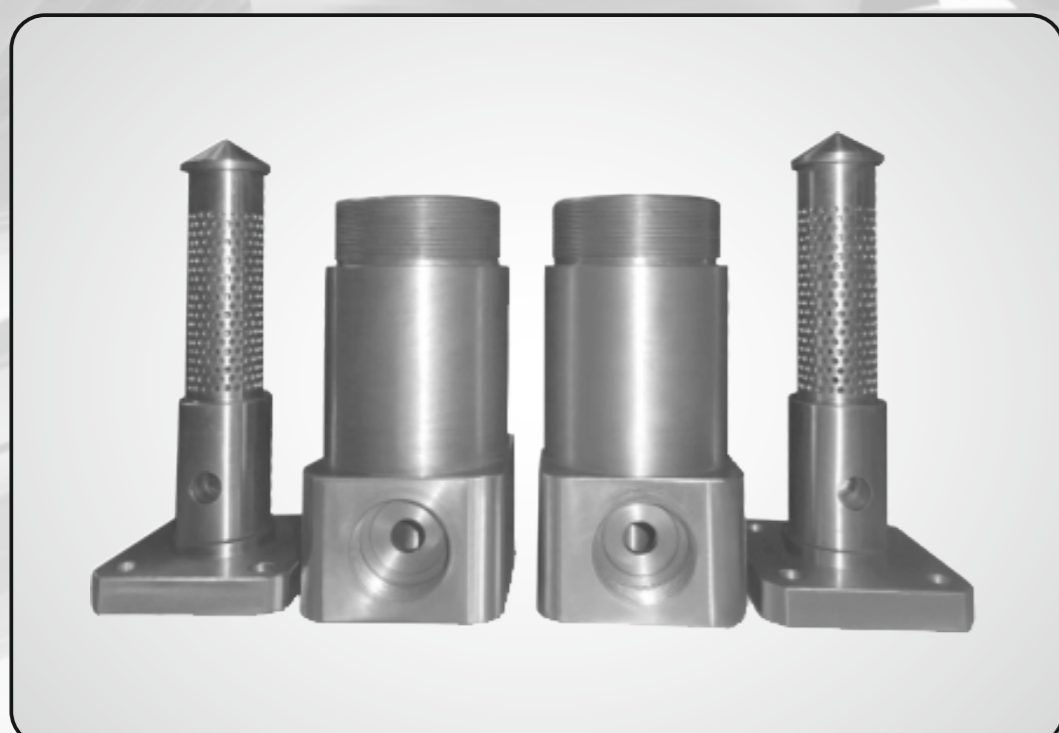
Extruder Screw Barrel



Extruder Screw Barrel



Groove Feed



Candle Filter



Blown Film Die



Extruder Barrel

Manufacturer and Exporter of Plastic Process Machinery

Mfg. Of.

HM / HDPE / LD / LLDPE / BIO-DEGRADABLE

Extrusion Blown Film Plant

Plastic Extrusion Machinery Spares

(Specialist in Extrusion Screw Barrel)



ASHOK EXTRUTECH

ISO : 9001 : 2015 CERTIFIED COMPANY

📍 118/B, GIDC Estate, Opp. Jayant Oil Mill, Makarpura, Vadodara-390010.

✉ ashokextrutech@gmail.com

☎ +91 90335 35390, +91 98252 17782, +91 90333 42224